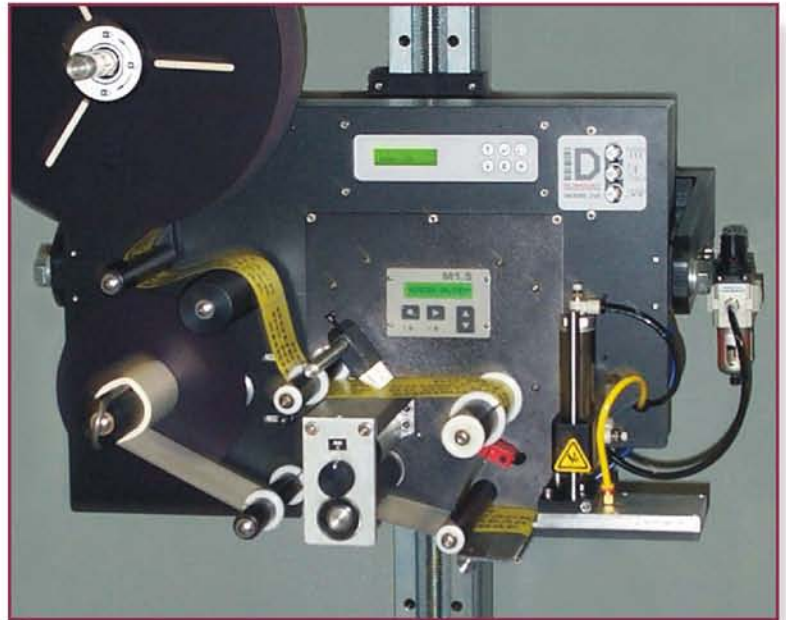




# Model 250a

## Automatic Label Applicator



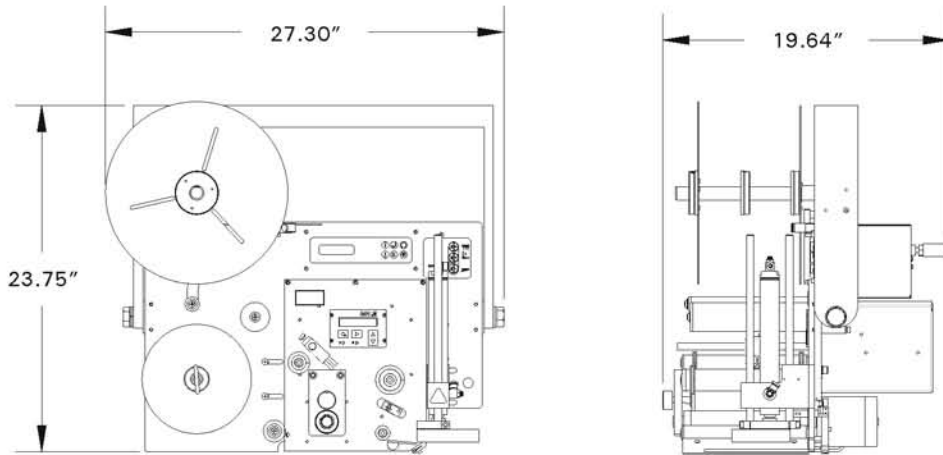
- Interchangeable with all Model 250 "Hot-Swap" Modules and Spare Parts
- Easily Upgraded to a Printer Applicator
- Use with Pre-encoded RFID Tags or Upgrade to RFID Print & Apply
- Unique Innovative Modular Design
- Built with open frame for easy access and label loading
- Stepper Driven

ID Technology has developed an innovative approach for companies needing to automate their preprinted labeling processes today, but with an eye towards variable information print and apply in the future. The Model 250a bridges this gap with the interim step of automatic label application using a Model 250 base unit and an "apply-only" module in place of a print engine. All that is needed to move to fully automatic print and apply labeling is to bolt a print engine or RFID print engine in place of the apply-only module.

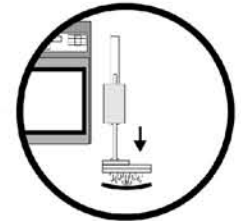
The ruggedly built apply-only module has a large, high tack drive roller that prevents label slipping and ensures precise label dispensing, even at high speeds.

Because the base machine is an industry leading Model 250 all key design features and benefits are the same, including all application options and "hot-swap" electronic, pneumatic and rewind modules.

## Model 250a Label Applicator



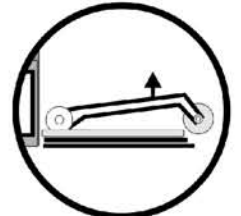
## Application Options



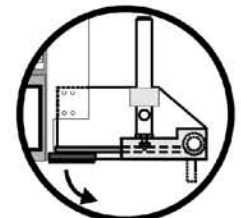
Tamp-Jet



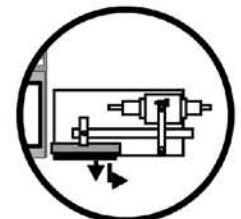
Blow-On



Corner Wrap



Swing Arm



Dual-Panel  
Tamp

Note: All photography and dimensional drawings depict representative examples of systems. Dimensions, options and controls vary by application.

## 250a Label Applicator Specifications

<b>Dispense Speeds</b>	4, 6, 8, 10, or 12 inches/second	
<b>Accuracy</b>	± 1/32" with consistent product dimensions and favorable product handling	
<b>Control Electronics</b>	Microprocessor Controller	
<b>Electrical</b>	110 VAC, 50/60 Hertz, 5 Amps	
<b>Label Sensing</b>	Photoelectric	
<b>Air Requirements</b>	Clean air at 80psi min. to 120psi dependent upon the application method and rate	
<b>Label Size</b>	Minimum width of 1" Maximum width of 7"	
<b>Label Roll Size</b>	12.5" (OD) x 3" (ID) - <i>Standard</i> 16" Unpowered Unwind - <i>Optional</i>	
<b>Label Style</b>	Die cut, waste removed, outside wound, with 1/8" minimum gap in the running direction	
<b>Upgrades &amp; Options</b>	<i>Print Engine</i> <i>Tamp-Jet</i> <i>Dual-Panel Tamp</i> <i>Corner Wrap</i> <i>Blow-On</i> <i>Support Stand</i> <i>Low Label Alarm</i>	<i>RFID Print Engine</i> <i>Smart Tamp</i> <i>Swing Arm Tamp</i> <i>Extended Tamp</i> <i>Left Hand Configuration</i> <i>Status Beacon</i> <i>System Status Output</i>



2051 Franklin Drive  
Fort Worth, TX 76106  
888.438.3242  
www.idtechnology.com